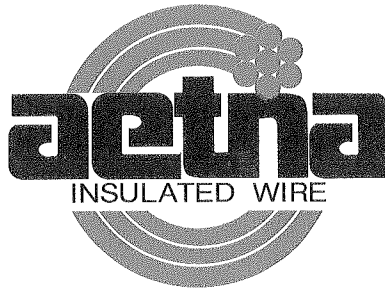




ISO 9001:2000

WIRE AND CABLE



ISO 9001:2000

PRODUCT LIST

Type MV-90/MV-105 High Voltage Power Cable

5000 to 35000 V, XLP or EPR
Single or Multi-Conductor

Type MC Interlocked Armored Power Cable

600-35000 V, XLP, EPR, THHN
Single or Multi-Conductor, Inner Jacket Optional

Teck Armored Power Cable

600 to 35000 V
Single or Multi-Conductor, CSA

Type TC Multi-Conductor Tray

600 V, XHHW-2, XLP-USE-2

Underground Distribution Cable, URD

5000 to 35000 V, Copper Cond., XLP or EPR

Preassembled Self-Supporting Aerial Cable

600 to 35000 V, XLP or EPR
Copper clad, galvanized or stainless steel
messenger and banding

Building Wire

600 V,
XHHW-2, XLP-USE-2
VW-1

Service Drop Cable

Duplex, Triplex or Quadruplex

Mine Power Feeder Cable, Type MPF-GC

5000 to 35000 V, XLP or EPR, MSHA approved

Submersible Pump Cable

600 to 5000 V, XLP or EPR, with or w/o grds

Specially Constructed Cable

400 Hertz (6 over 1)
- Custom cable assemblies

Composite Cables to Spec

Special Jackets available such as; CPE, PE, AETNA
3742 LS-PE, Termite Resistant, -40°C, LLDPE, IEEE-383



ISO 9001:2000

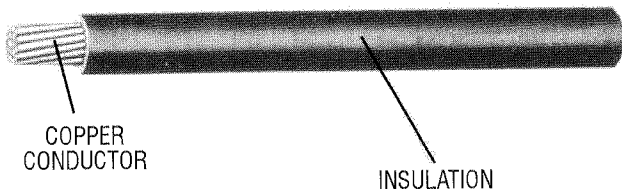
INTRODUCTION

Aetna Insulated Wire Inc., is a major manufacturer and supplier of specialty cable and building wire. We have one of the largest and most complete inventories in the nation. For over 70 years, distributors have come to recognize Aetna for dependability, fast service and flexibility in meeting specialized requirements of electrical distributors.

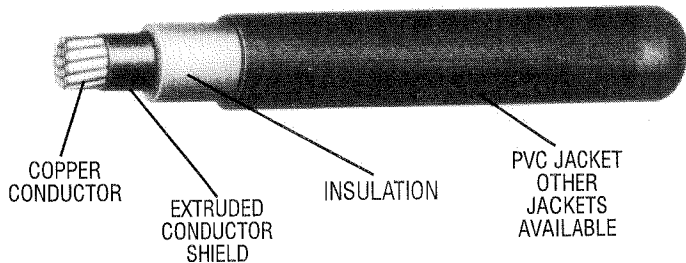
Our manufacturing plant, located in Virginia Beach, VA, utilizes our own stock of copper rod and incorporates the latest technology in wire drawing, stranding, insulating, cabling, armoring and jacketing. In fact, Aetna has one of the largest armoring capacities in the country. Our manufacturing facility is fully equipped to manufacture not only standard cable configurations, but special orders as well. We can fulfill your specialty cable requirements with a speed and precision that is unrivaled in the industry.

Aetna subjects all products to rigorous testing and inspection to ensure thorough quality control. All cable is manufactured to exacting standards that not only meet, but exceed industry requirements. Aetna Insulated Wire provides quality products, competitive pricing and fast service to distributors across the country.

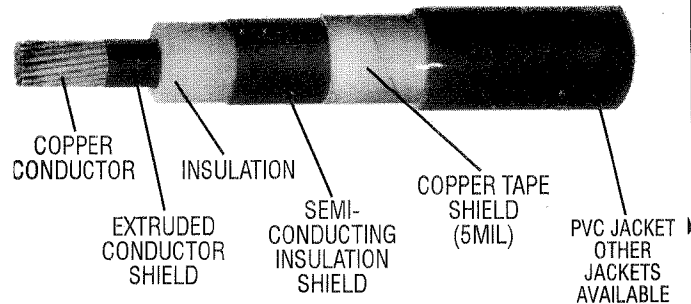
BUILDING WIRE, 600/1000 VOLT, XHHW-2, RHH or RHW-2 or USE-2, VW-1 AVAILABLE
 SEQUENTIAL FOOTAGE MARKED (8AWG & UP XHHW/USE), 1/0 & larger rated for CT Use.



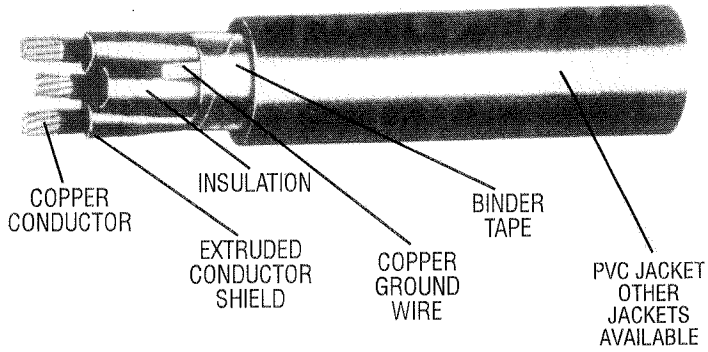
POWER CABLE, NON-SHIELDED, 5000 VOLT, TYPE MV-90, WET OR DRY, XLP OR EPR



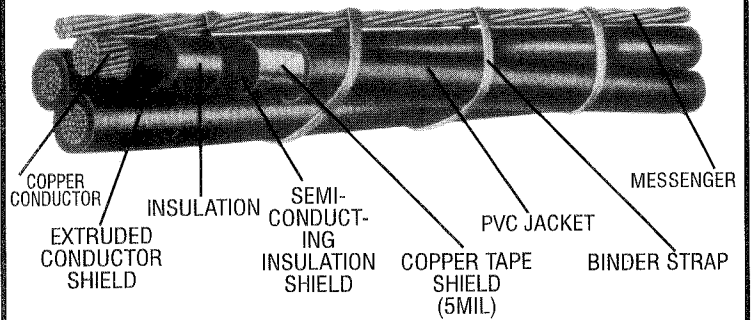
POWER CABLE, SHIELDED, 5000 TO 35000 VOLT, MV-90, XLP, MV-105(EPR)



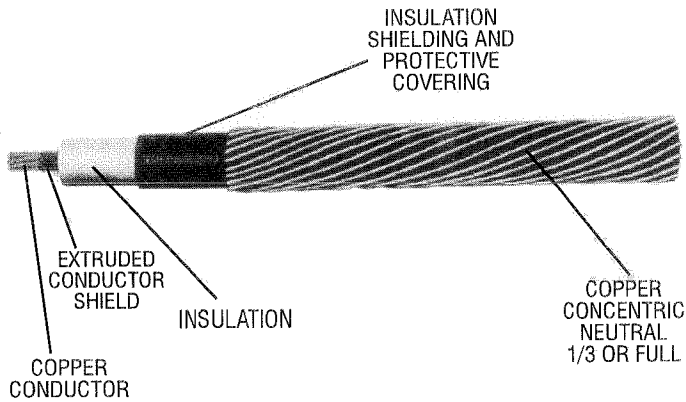
POWER CABLE, NON-SHIELDED, 5000 VOLT,
TYPE MV-90, WET OR DRY, XLP OR EPR,
MULTI-CONDUCTOR



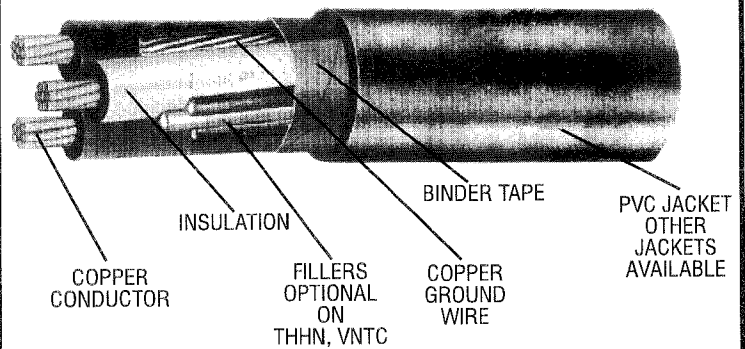
PREASSEMBLED SELF-SUPPORTING AERIAL CABLE,
TYPE MV-90, 600-5000 VOLT NON-SHIELDED, OR
5000 TO 35000 VOLT, SHIELDED, MV-90 XLP, MV-105 EPR



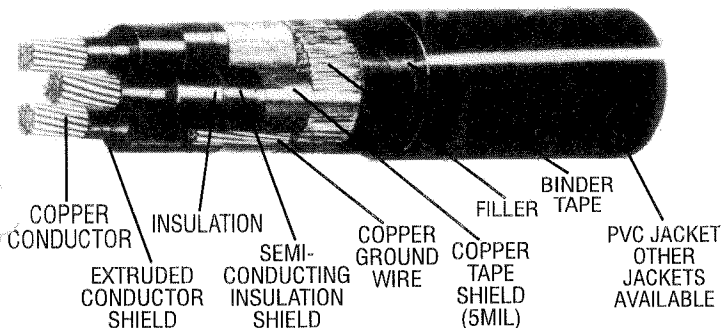
UNDERGROUND DISTRIBUTION POWER CABLE (URD),
5000 TO 35000 VOLT, XLP OR EPR, MV90/105
(OVERALL PVC, PE or CPE JACKET AVAILABLE)



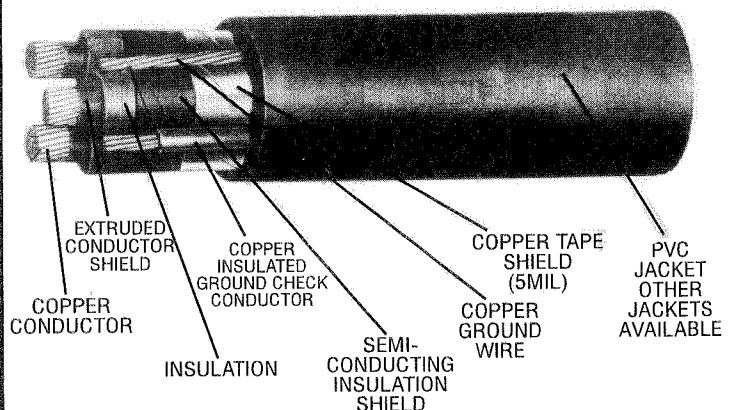
TYPE TC TRAY, 600 TO 2000 VOLT, XHHW-2, THHN-THWN,
XLP, MULTI-CONDUCTOR, COPPER OR BRONZE TAPE
SHIELDED AVAILABLE



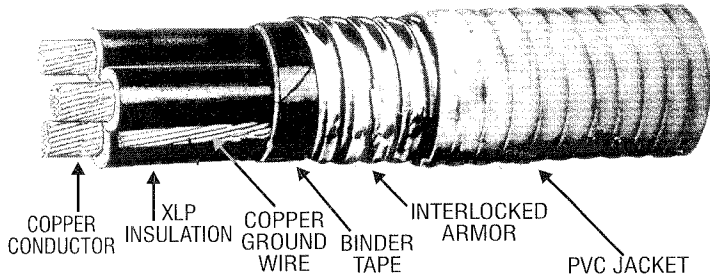
POWER CABLE, SHIELDED, 5000 TO 35000 VOLT,
TYPE MV-90 XLP, MV-105 EPR, MULTI-CONDUCTOR



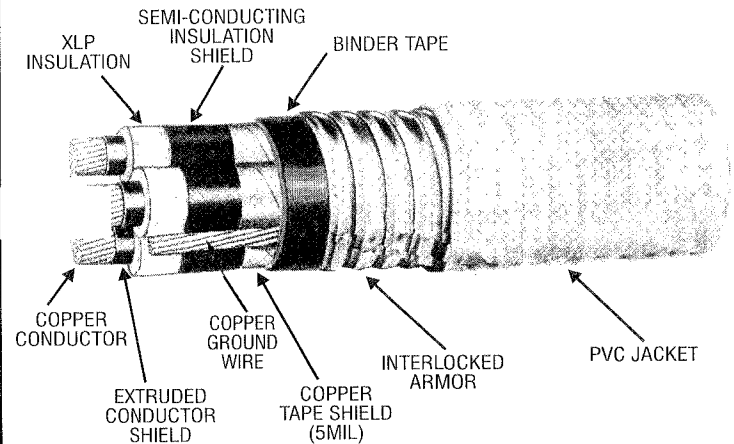
MINE POWER FEEDER CABLE, TYPE MPF-GC, 5000 TO
35000 VOLT, XLP OR EPR, MSHA APPROVED



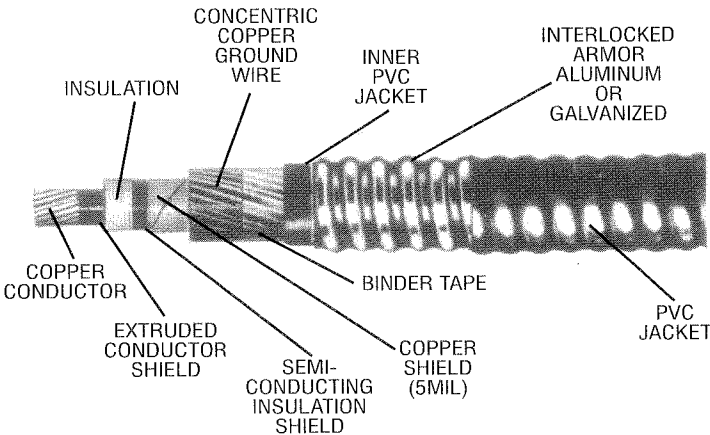
INTERLOCKED ARMORED POWER CABLE, 600/1000 VOLT, TYPE MC, XHHW-2, RHH or RHW-2 or USE-2, THHN, MULTI-CONDUCTOR, 600 VOLT AVAILABLE NON-JACKETED



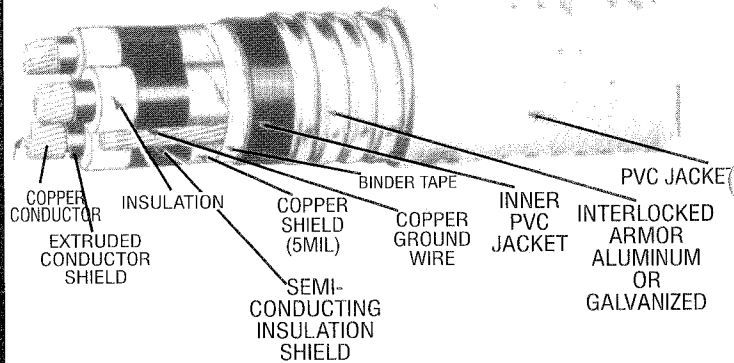
INTERLOCKED ARMORED POWER CABLE, 5000 VOLT (NON-SHIELDED OR SHIELDED), 5000 TO 35000 VOLT, TYPE MV-90 OR TYPE MC, XLP (MV-90) OR EPR (MV-105) MULTI-CONDUCTOR, INNER JACKET AVAILABLE



TECK HIGH VOLTAGE HL ARMORED POWER CABLE, SHIELDED, 5000 TO 35000 VOLT, XLP OR EPR

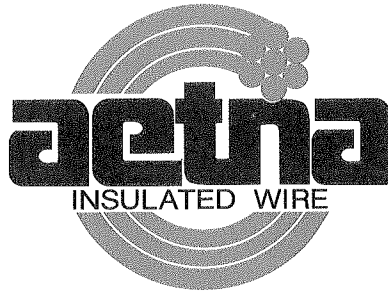


TECK HIGH VOLTAGE HL ARMORED POWER CABLE, SHIELDED, 5000 TO 35000 VOLT, XLP OR EPR



Aetna Insulated Wire currently stocks the following cable items

SIZES	EPR-5KV 115MIL T/S PVC JKT	EPR-15KV 220MIL T/S PVC JKT	XLP-15KV 220MIL T/S PVC JKT	3/C XHHW-2 600 V (MC) AIAC W/GRD PVC JKT	4/C XHHW-2 600V (MC) AIAC W/GRD PVC JKT	3/C & 4/C XHHW-2 600V (TC) W/GRD PVC JKT
8						X
6				X		X
4				X		X
2	X	X	X			X
1/0	X	X	X	X		X
2/0	X	X	X	X		X
4/0	X	X	X	X	X	X
250	X	X				X
350	X	X	X	X	X	X
500	X	X	X	X	X	X
750	X	X				



www.aetnawire.com

1537 Air Rail Avenue
Virginia Beach, VA 23455

(800) 423-6505

(757) 460-3381